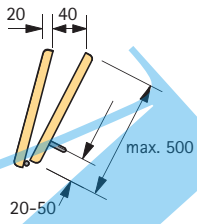


Folding door fitting Wing Line 770 for 1 folding door with 2 panels Function/Assembly

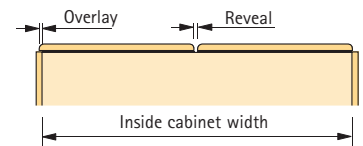
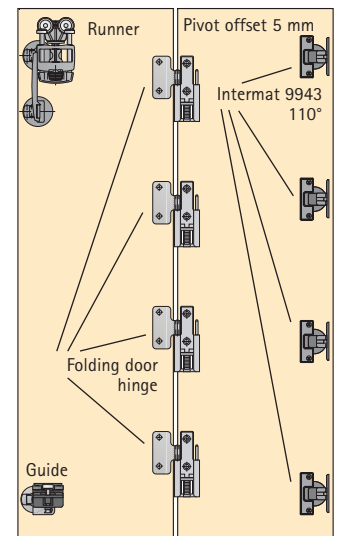
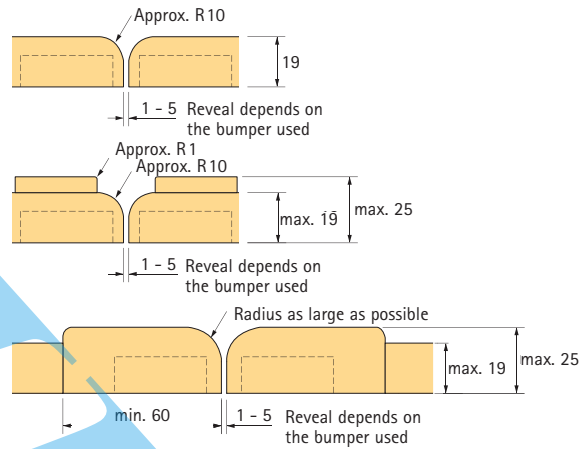
2-panel door set



2-panel folding door

門板重量 ≤ 20kg
門板寬度 ≤ 500mm
門板高度 ≤ 2200mm

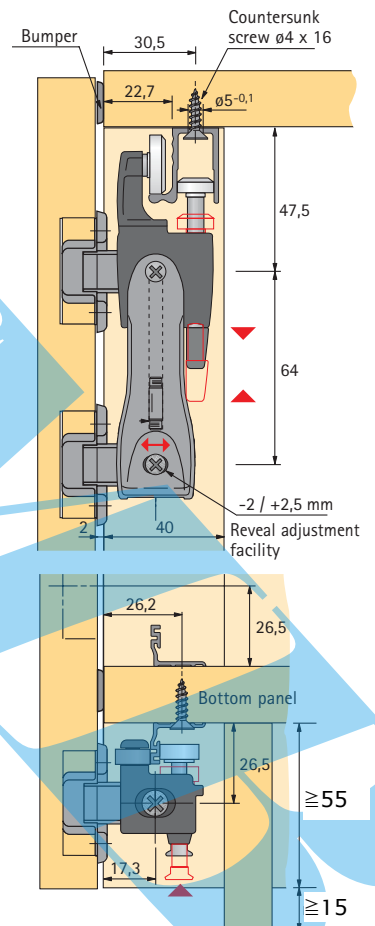
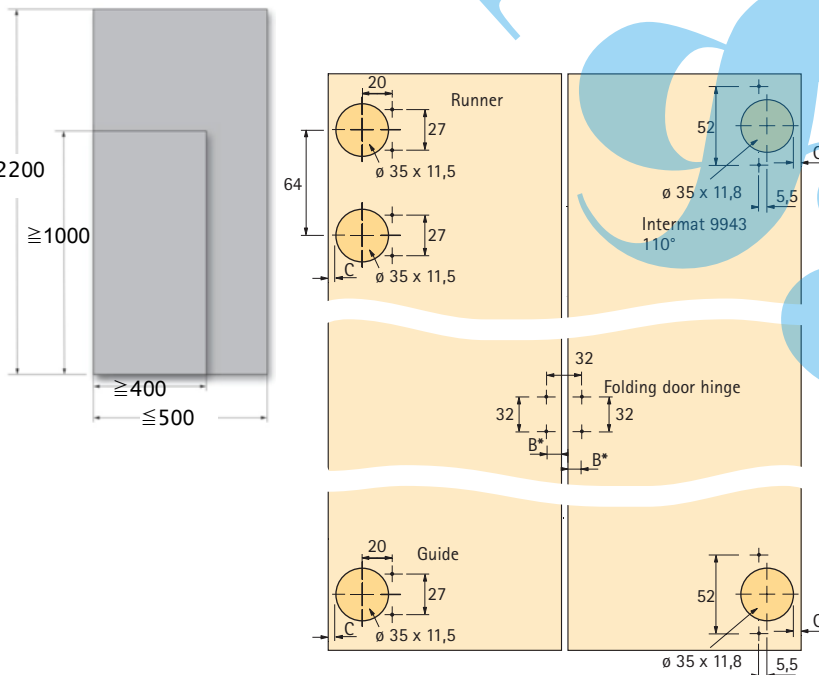
Recommended door panel contours for reducing risk of crushing



Calculation of door width/door panels

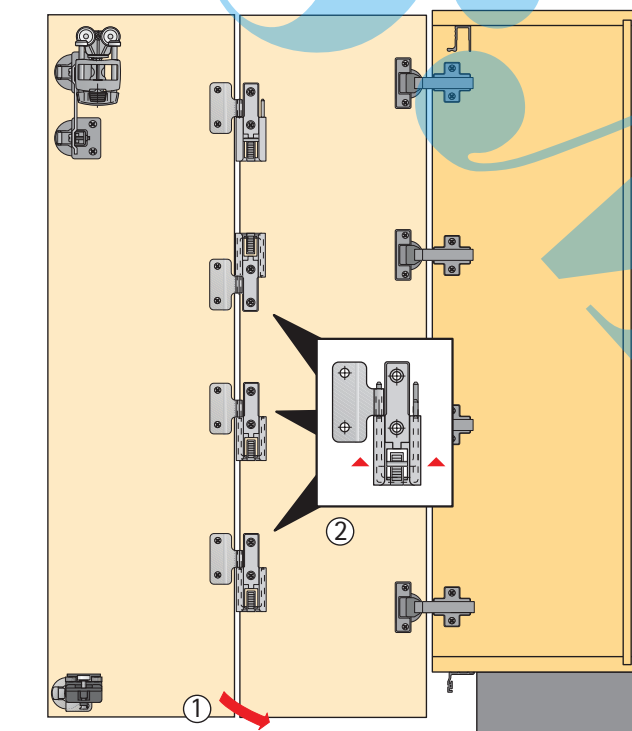
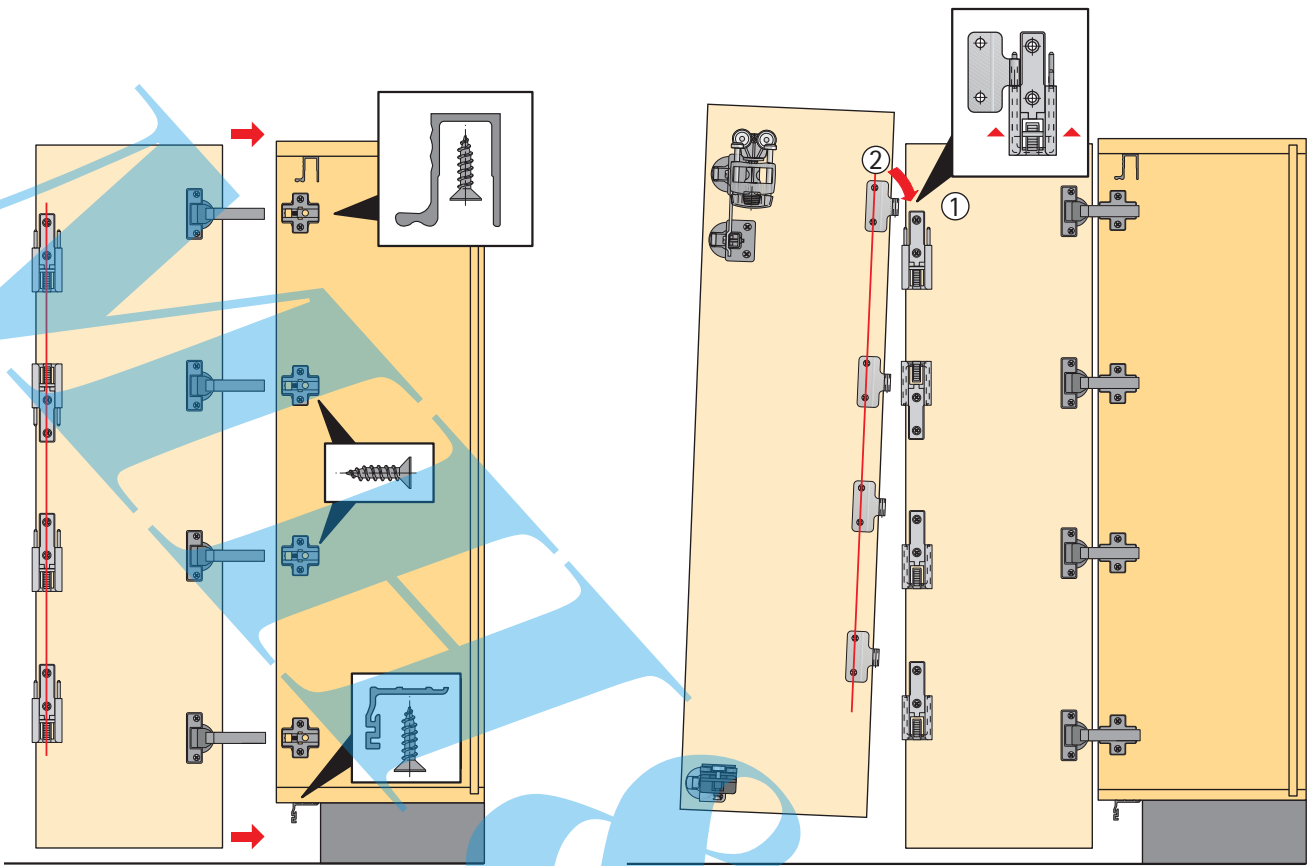
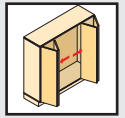
Door width = inside cabinet width + (2 x overlay*)
Door panel width = inside cabinet width - (1 x reveal) + (2 x overlay*) ÷ 2
* Overlay: max. 15 mm, C value 5 mm

Drilling pattern



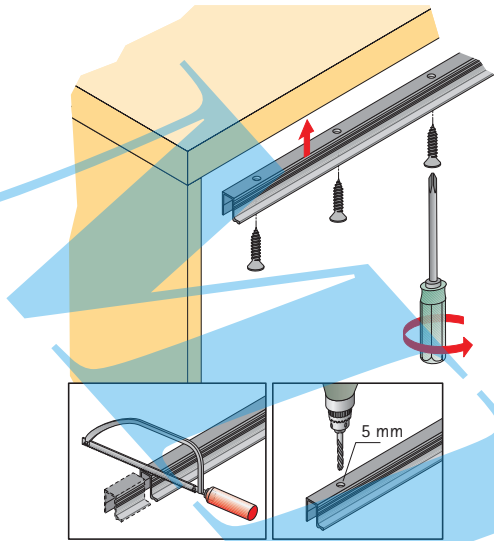
* B Hole spacing mm	13,5	14	14,5	15	15,5
Reveal mm	5	4	3	2	1

Folding door fitting Wing Line 770 for 1 folding door with 2 panels Assembly

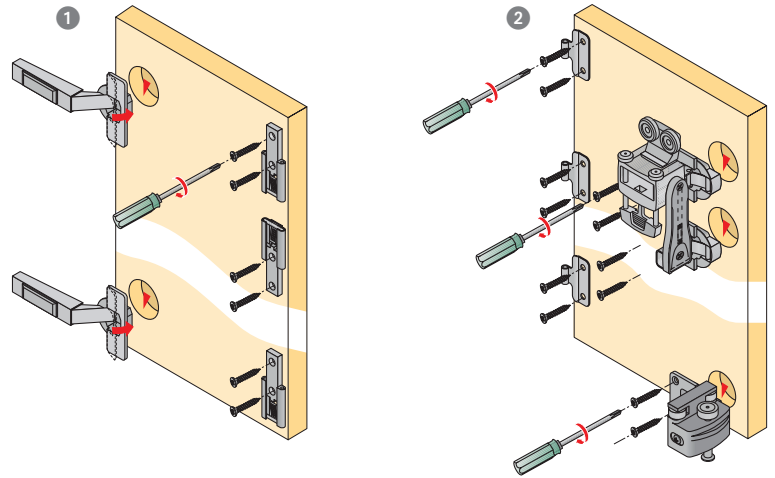


Folding door fitting Wing Line 770 for 1 folding door with 2 panels Assembly

Assembly runner profile



Preparing the door set



Mounting the door set

