



**Adjustable invisible hinge
for flush fit doors.**



GEOS

Aesthetic, easy to fit and adjust.

The new SFS intec invisible hinge, has been designed to be cost effective and easy to install on both left and right handed doors.

The adjustment can be done on an assembled door with a standard Allen key.

The design allows for horizontal adjustment of up to ± 3 mm along with gasket pressure adjustment of $\pm 1,5$ mm.

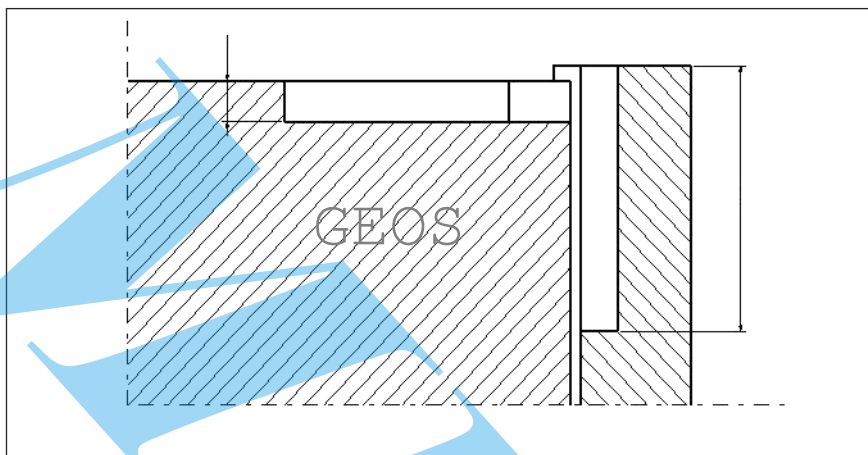
The fulcrum of rotation is constituted by a pin in self lubricating material which guarantees both smooth and long term operation.

SFS intec has created a complete system for this product which is composed of the hinge, the cover caps which are available in different colours and the installation jig.

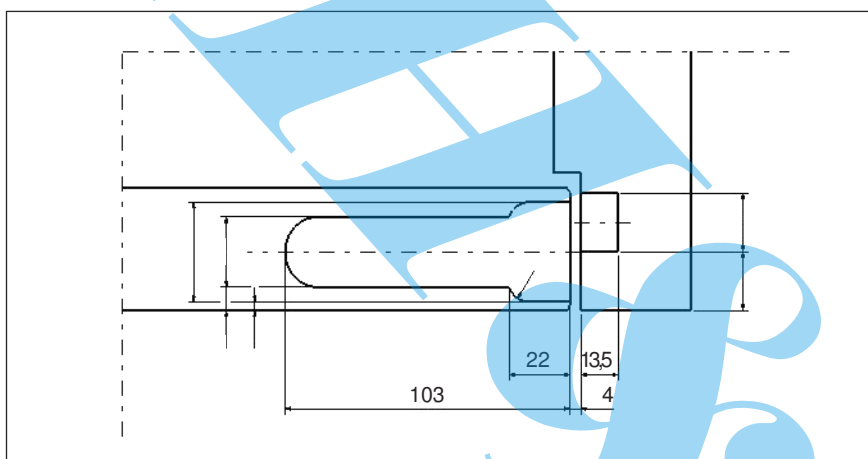
Technically reliable, the new invisible hinge has been tested with a door weighing 70kg at 200.000 open/close cycles.



Istruzioni di fresatura, montaggio e regolazione CIR
Milling, fitting and adjustment instructions CIR



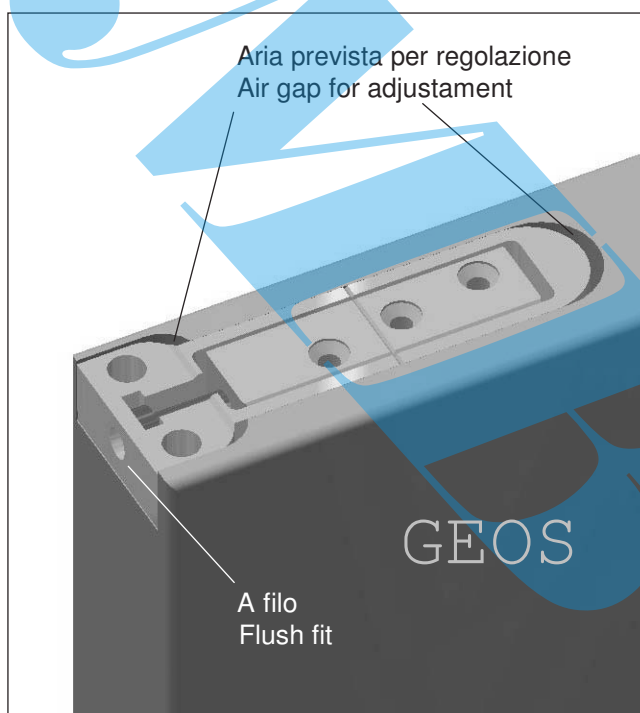
Schema di fresatura
Milling scheme

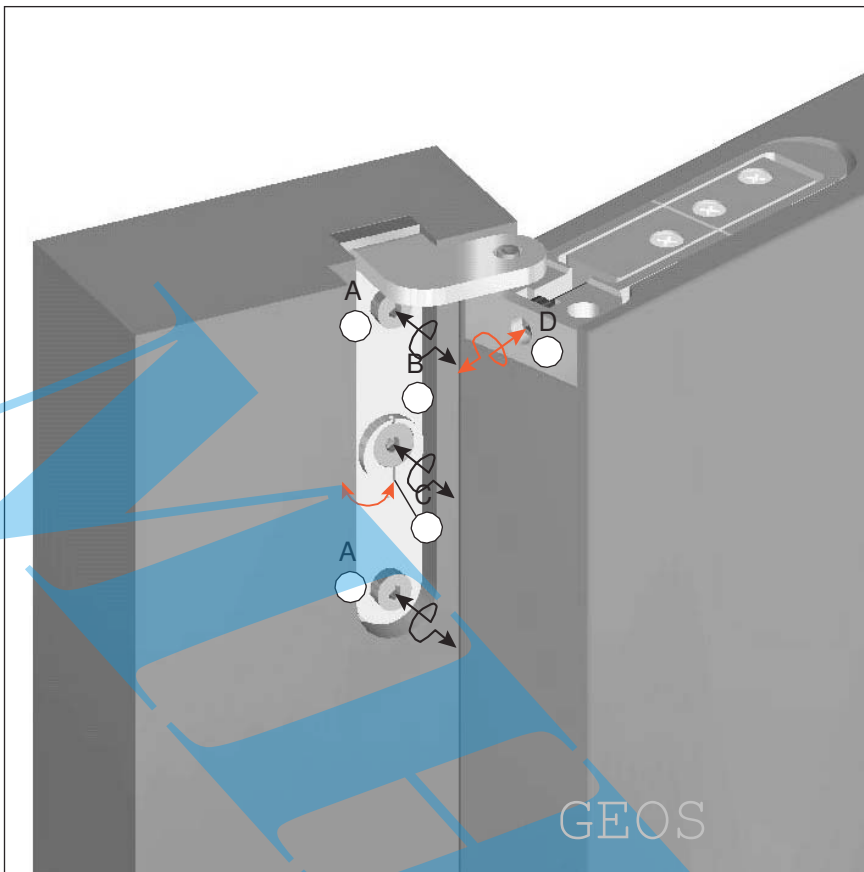


Montaggio maschio su telaio
Fit the male part into the frame



Montaggio femmina su porta
Fit the female part into the sash





Regolazione in profondità

Allentare le viti A e B e agire sull'eccentrico C per regolare la profondità

Gasket pressure adjustment

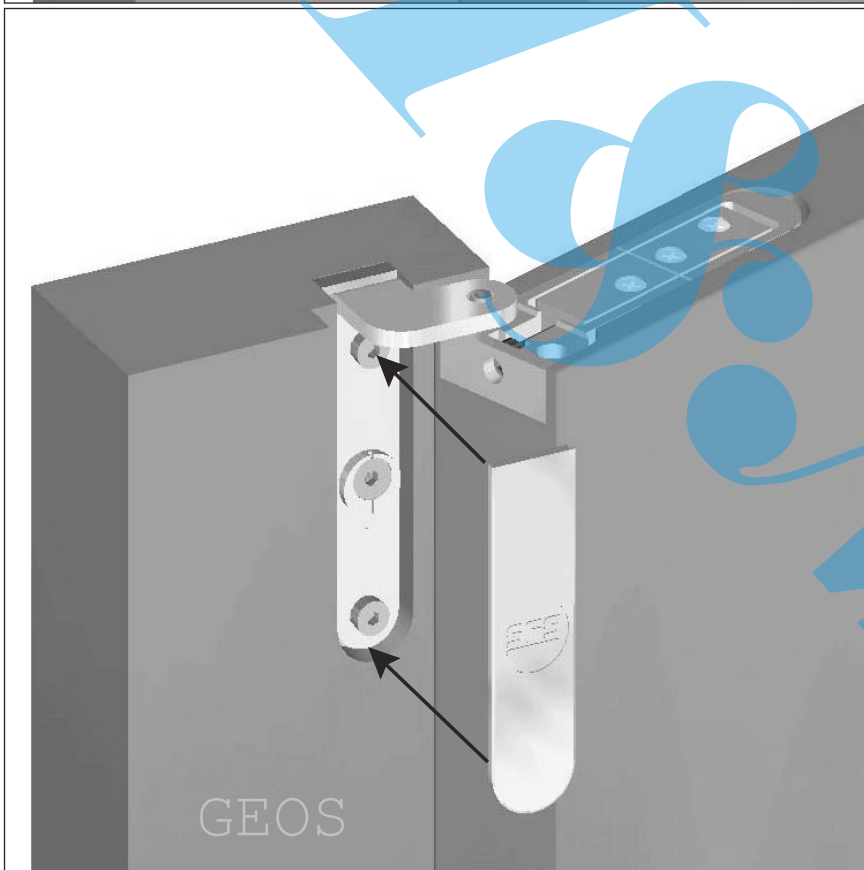
Loosen the screws A and B and turn the eccentric C to adjust the gasket pressure

Regolazione laterale

Agire sulla vite D

Horizontal adjustment

Turn screw D



Inserimento cappucci Fit the cover caps